

INVEMEC GUARICO CA

INVEMEC GUARICO CA

INVEMEC GUARICO CA

Ø51

102

119

1838

311

552

699

esta estructura
esta diseñada para soportar
una prensa de 25 Ton

usar resorte que este en este rango de largo
y tenga 5mm diametro para que pueda soportar
el trabajo prologando

Tomar en cuenta
que los cilindros hidraulicos varian de
Altura, y dependiendo de eso,
seleccionar los resortes

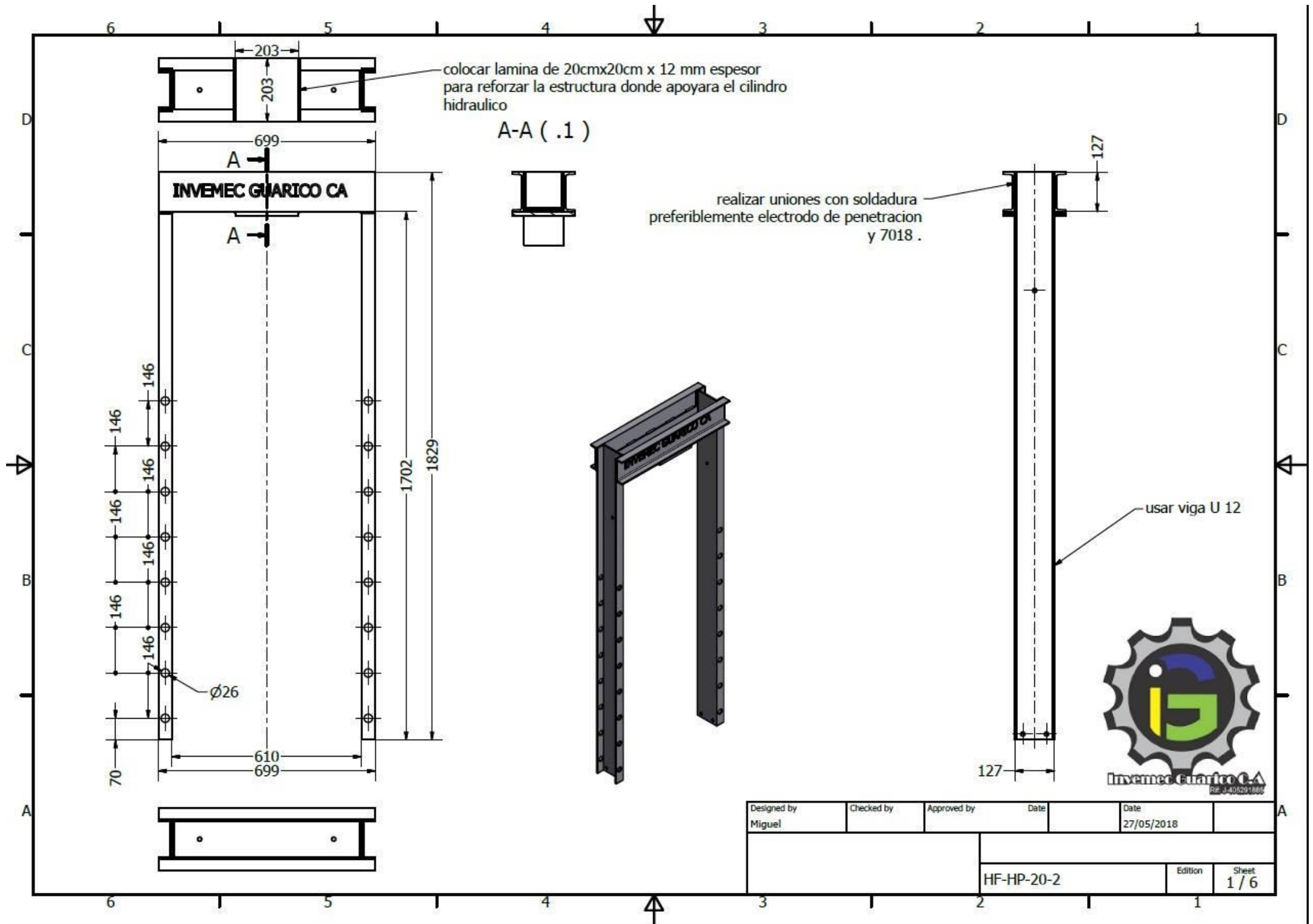
1838

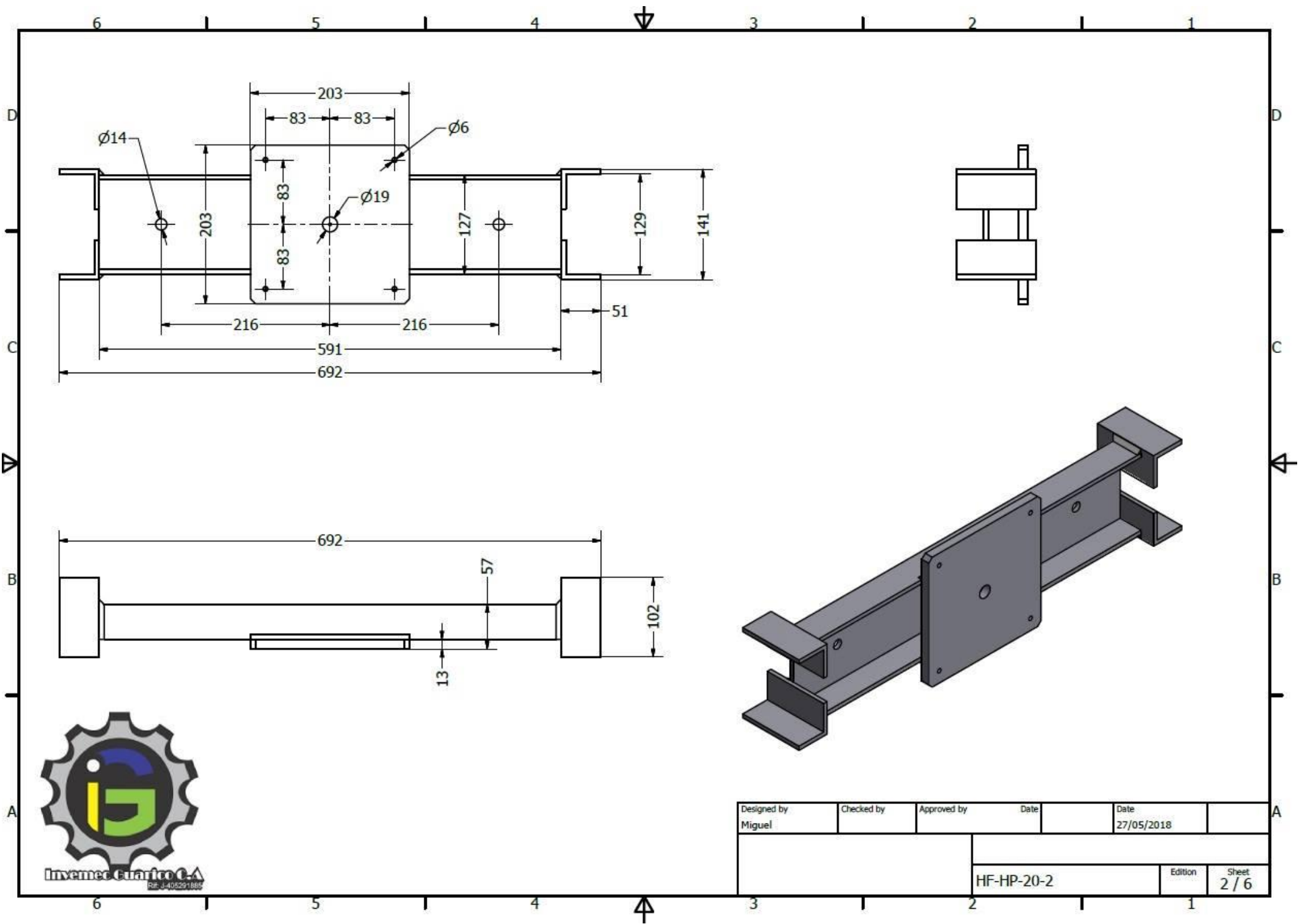
660



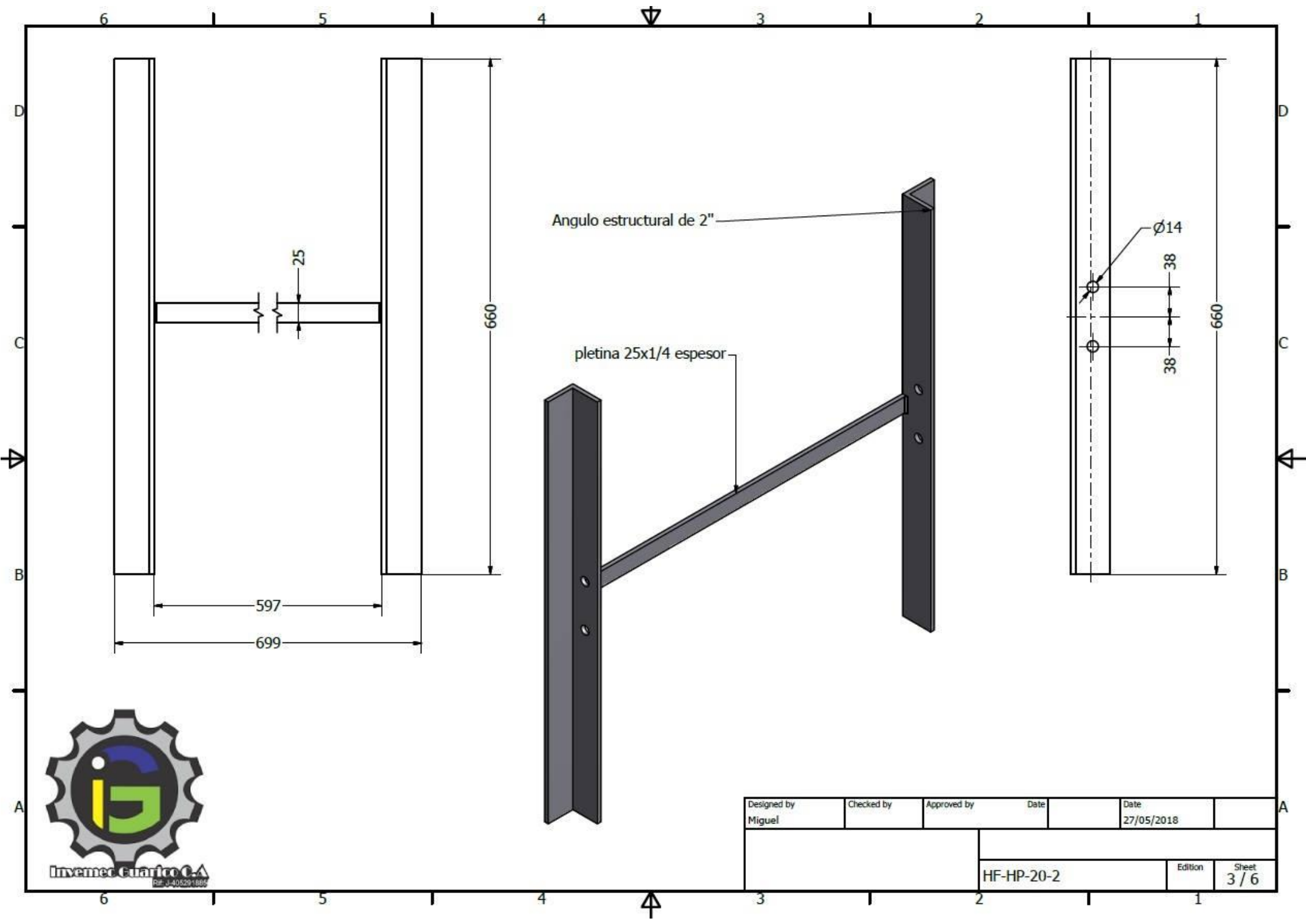
Invemec Guarico C.A.
RIF: J.405291885

Designed by Miguel	Checked by	Approved by	Date	Date 27/05/2018
			HF-HP-20-2	
			Edition	Sheet 6 / 6





Designed by Miguel	Checked by	Approved by	Date	Date 27/05/2018	
			HF-HP-20-2		
			Edition	Sheet 2 / 6	

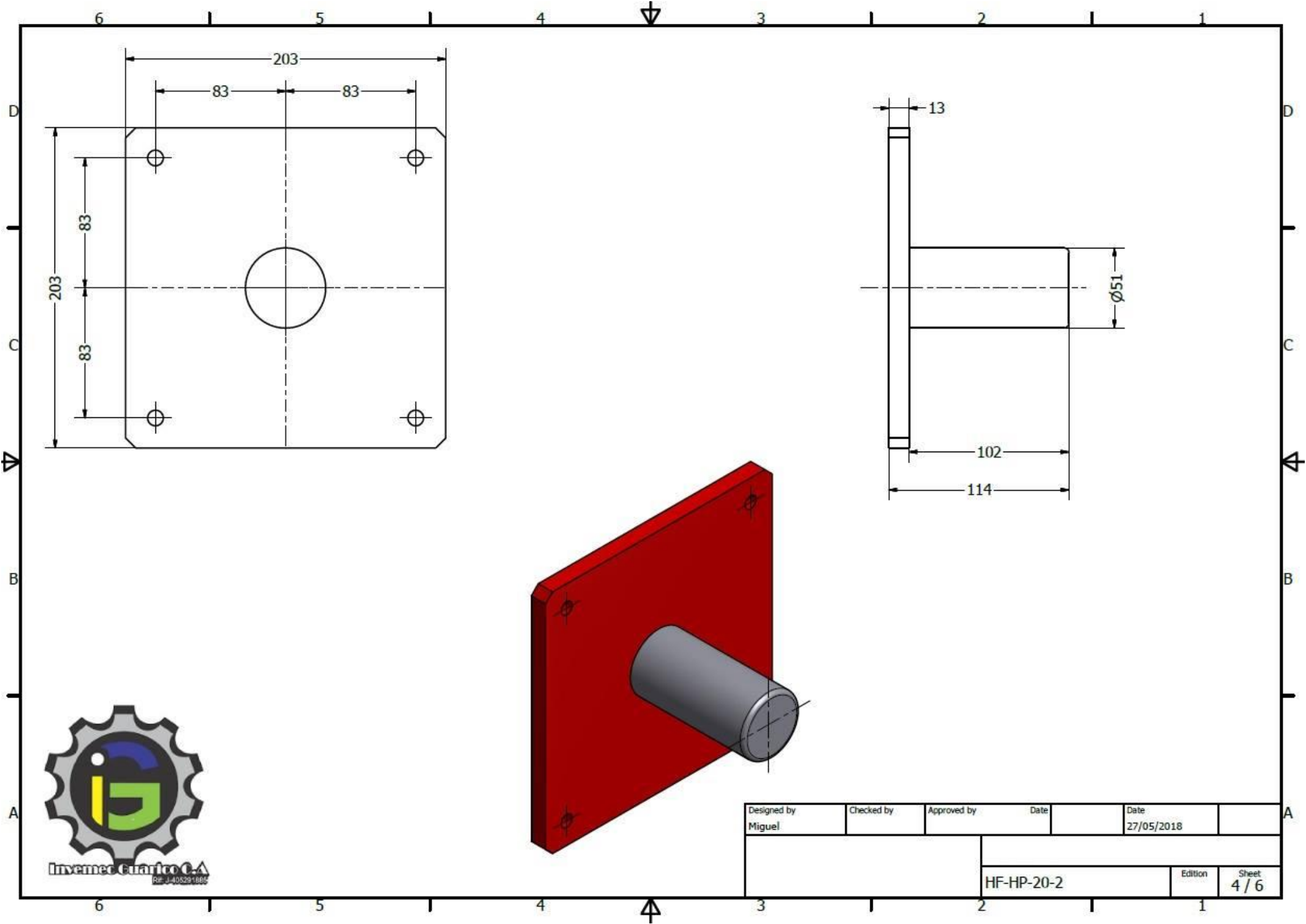


Angulo estructural de 2"

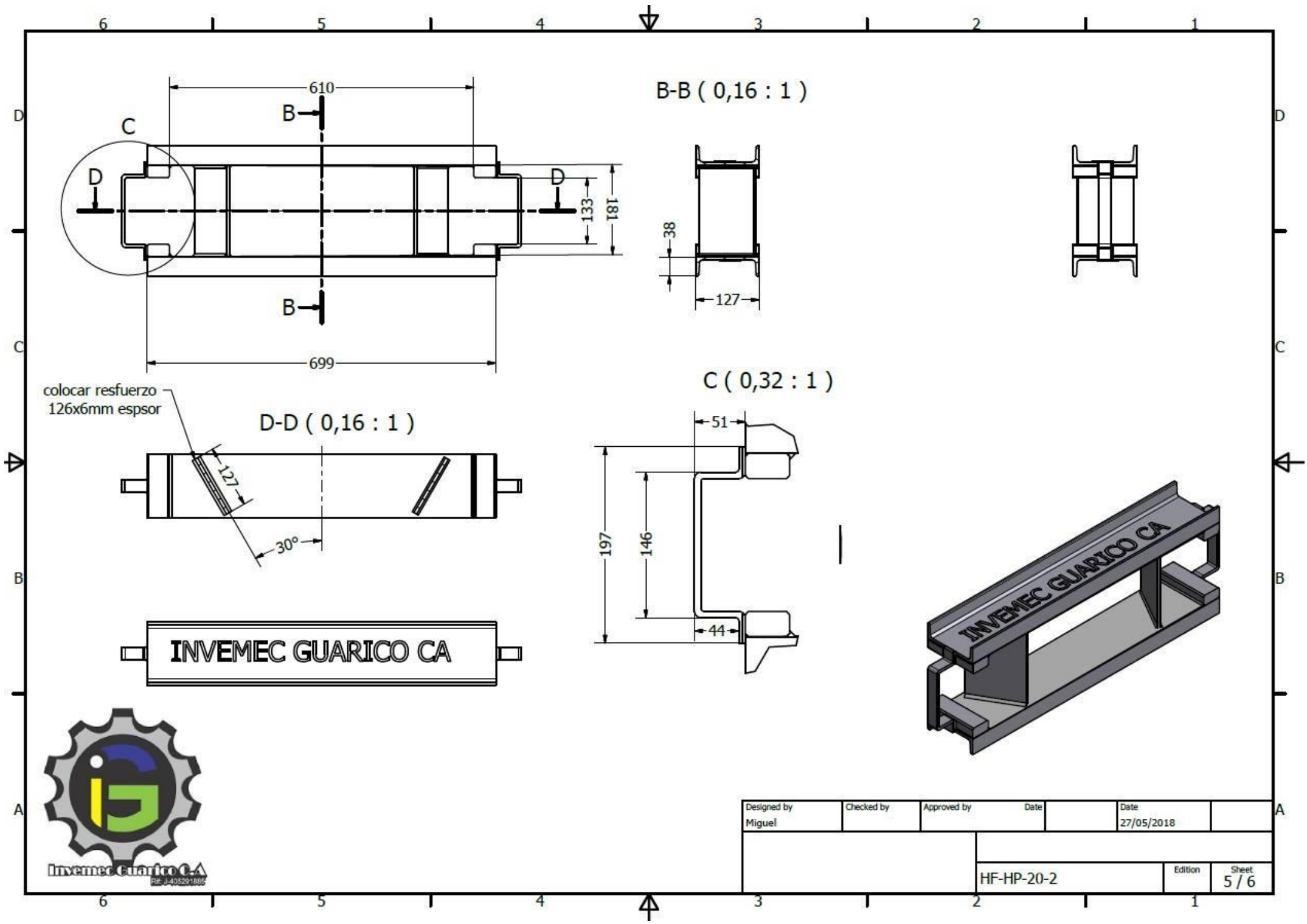
pletina 25x1/4 espesor



Designed by Miguel	Checked by	Approved by	Date	Date 27/05/2018	
			HF-HP-20-2		Edition Sheet 3 / 6



Designed by Miguel	Checked by	Approved by	Date	Date 27/05/2018
			HF-HP-20-2	Edition Sheet 4 / 6



Designed by Miguel	Checked by	Approved by	Date	Date 27/05/2018	
			HF-HP-20-2		Edition
					Sheet 5 / 6

